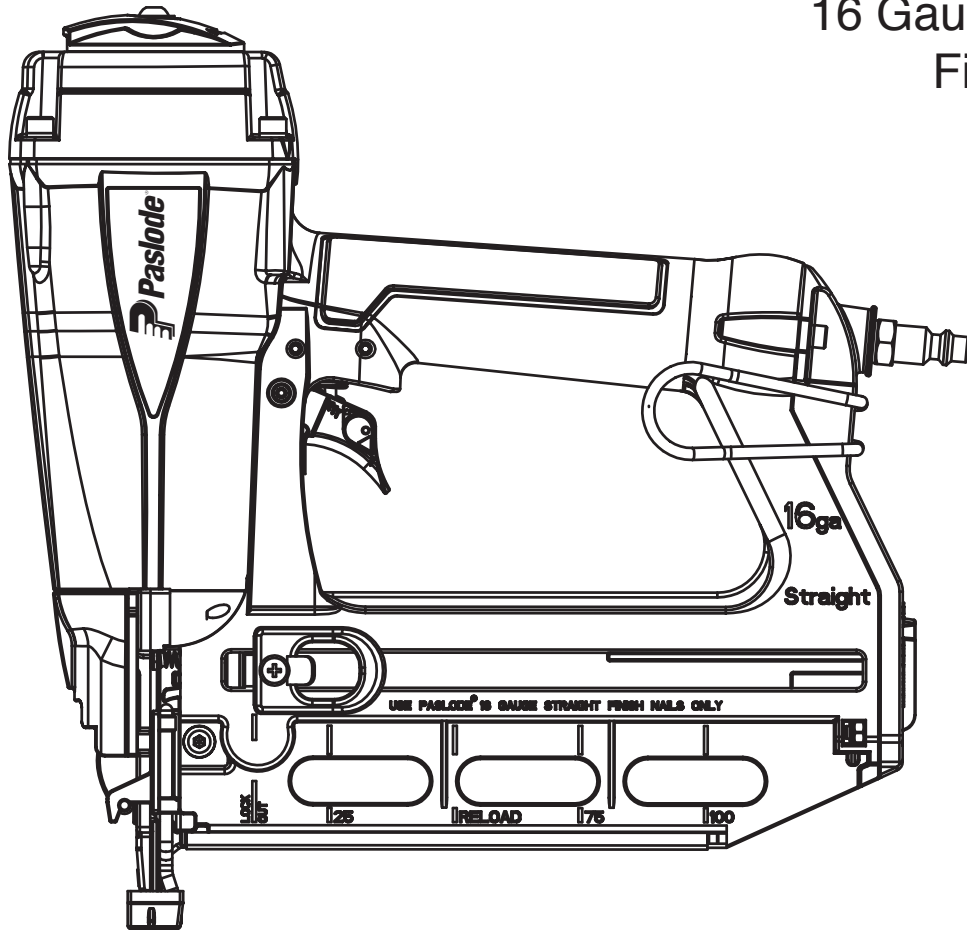




MODEL T250S-F16
16 Gauge Straight
Finish Nailer



IMPORTANT!
DO NOT DESTROY

It is the customer's responsibility to have all operators and service personnel read and understand this manual.

OPERATING MANUAL AND
TOOL SCHEMATIC

INTRODUCTION

The **PASLODE® T250S-F16** finish nailer is a quality-built tool designed for use in residential trim applications. This tool will deliver efficient, dependable performance when used according to the manufactures guidelines. Please study this manual including the safety instructions to fully understand the operation of this tool.

TOOL AND FASTENER SPECIFICATIONS	3
SAFETY INSTRUCTIONS	4
TOOL OPERATION	5
EXPLODED VIEW AND SPARE PARTS LIST	10-11
ACCESSORIES	12

TOOL WARRANTY AND LIMITATIONS

Paslode warrants that newly purchased power fastening tools parts and accessories will be free from defects in material and workmanship (excluding wear parts) for the period shown below, after the date of delivery to the original user.

90-DAY LIMITED WARRANTY

A 90-day warranty will apply to all parts, except those which are specifically covered by an extended warranty.

EXTENDED LIMITED WARRANTY FOR ON SITE CONSTRUCTION APPLICATIONS

A one year warranty will apply to all housing and cap assembly castings. A six month warranty will apply to all magazines parts.

NORMAL WEARING PARTS

The following parts are considered normal wearing parts and are not under warranty:

- Bumper
- Drive Blades
- "O" Rings
- Piston Rings

WARRANTY STATEMENT

Paslode's sole liability hereunder will be to replace any part or accessory which proves to be defective within the specific time period. Any replacement part or accessory provided in accordance with this warranty will carry a warranty for the balance of the period of warranty applicable to the part it replaces.

This warranty is void as to any tool which has been subjected to misuse, abuse, accidental or intentional damage, used with fasteners not meeting Paslode specification, size, or quality, improperly maintained, repaired with other than genuine Paslode replacement parts, damaged in transit or handling, or which, in Paslode's opinion, has been altered or repaired in a way that affects or detracts from the performance of the tool.

PASLODE MAKES NO WARRANTY, EXPRESSED OR IMPLIED, RELATING TO MERCHANTABILITY, FITNESS, OR OTHERWISE, EXCEPT AS STATED ABOVE, and Paslode's liability AS STATED ABOVE AND AS ASSUMED ABOVE is in lieu of all other warranties arising out of, or in connection with, the use and performance of the tool, except to the extent otherwise provided for by applicable law. PASLODE SHALL IN NO EVENT BE LIABLE FOR ANY DIRECT, INDIRECT, OR CONSEQUENTIAL DAMAGES, INCLUDING, BUT NOT LIMITED TO, DAMAGES WHICH MAY ARISE FROM LOSS OF ANTICIPATED PROFITS OR PRODUCTION, SPOILAGE OF MATERIALS, INCREASED COST OF OPERATION, OR OTHERWISE.

Paslode reserves the right to change specifications, equipment, or designs at any time without notice and without incurring obligation.

TOOL AND FASTENER SPECIFICATIONS

TOOL SPECIFICATIONS

MODEL NO.	T250S-F16 (Part# 501680)
HEIGHT	11.3"
WIDTH	3.1"
LENGTH	11.5"
WEIGHT	3.9lbs.
OPERATING PRESSURE	80 to 120 p.s.i. (5.5 to 8.3 bars)
ASSEMBLY HARDWARE SYSTEM	Metric

FASTENER SPECIFICATIONS

NAIL LENGTH	3/4" - 2-1/2"
SHANK DIAMETER	16 gauge

TOOL AIR FITTINGS:

This tool uses a 1/4" N.P.T. male plug. The inside diameter should be .28" (7mm) or larger. The fitting **must** be capable of discharging tool air pressure when disconnected from the air supply.

OPERATING AIR PRESSURE:

80 to 120 p.s.i. (5.5 to 8.3 bars). Select the operating air pressure within this range for best tool performance.

DO NOT EXCEED THIS RECOMMENDED OPERATING PRESSURE.

SAFETY INSTRUCTIONS

SAFETY FIRST

These safety instructions provide information necessary for safe operation of Paslode® tools. **DO NOT ATTEMPT TO OPERATE THE TOOL UNTIL YOU READ AND UNDERSTAND ALL SAFETY PRECAUTIONS AND MANUAL INSTRUCTIONS.**



WEAR EYE AND HEARING PROTECTION

Always wear hearing and eye protection devices, that conform to ANZI Z87.1 requirements, when operating or working in the vicinity of a tool. As an employer you are responsible for enforcing the use of eye protection. Wear hard hats in environments that require their use.

THE TOOL MUST BE USED ONLY FOR THE PURPOSE FOR WHICH IT WAS DESIGNED

Do not throw the tool on the floor, strike the housing in any way or use the tool as a hammer to knock material into place.

NEVER ENGAGE IN HORSEPLAY WITH THE TOOL

The tool is not a toy so do not use it like one. Never engage in horseplay with the tool or point it at yourself or any other person, even if you think it is not loaded.

NEVER ASSUME THE TOOL IS EMPTY

Check the magazine for fasteners that may be left in the tool. Even if you think the tool is empty or disconnected, never point it at anyone or yourself. Unseen fasteners could fire from the tool.

NEVER CLAMP THE TRIGGER IN A LOCKED OR OPERATING POSITION

The trigger of the tool must never be tampered with, disabled or clamped in a locked or operating position since this will cause the tool to drive a fastener any time the work contacting element depressed.

DO NOT LOAD FASTENERS WITH THE AIR LINE CONNECTED, OR WITH THE TOOL TRIGGER OR WORK CONTACTING ELEMENT DEPRESSED

When loading fasteners into the tool be sure you disconnect the air line and that you do not depress the trigger or work contacting element.



OPERATE THE TOOL ONLY ON A WORKPIECE

The tool should be operated only when it is in contact with the workpiece. Even then you should be careful when fastening thin material or working near the edges and corners of the workpiece since the fasteners may drive through or away from the workpiece.

DO NOT DISABLE OR REMOVE THE WORK CONTACTING ELEMENT

This tool is equipped with a safety mechanism, called a work contacting element, to help prevent accidental firing. Never tamper with, disable or remove the work contacting element. Do not use the tool unless the work contacting element is working properly. The tool could fire unexpectedly.



CARRY THE TOOL ONLY BY THE HANDLE

Always carry the tool by the handle only. Never carry the tool by the air hose or with the trigger depressed since you could drive a fastener unintentionally and injure yourself or someone else.

DO NOT WEAKEN THE TOOL HOUSING

The tool housing is a pressure vessel and should never be weakened by having your company's name, area of work or anything else stamped or engraved into its surface.

DISCONNECT THE TOOL WHEN PERFORMING REPAIRS AND CLEARING JAMS

Never attempt to clear a jam or repair a tool unless you have disconnected the tool from the air line and removed all remaining fasteners from the tool.

ALWAYS USE THE PROPER FITTING FOR THE TOOL

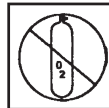
Only MALE pneumatic type air connectors should be fitted to the tool, so that high pressure air in the tool is vented to atmosphere as soon as the air line is disconnected.

NEVER install FEMALE quick disconnect couplings on the tool. Female couplings will trap high pressure air in the tool when the air line is disconnected, leaving the tool charged and able to drive at least one fastener.



DO NOT EXCEED THE MAXIMUM RECOMMENDED AIR PRESSURE

Operate the tool only at the recommended air pressure. Do not exceed the maximum air pressure marked on the tool. Be sure the air pressure gauge is operating properly and check it at least twice a day.



Never use any bottled air or gases such as oxygen to operate the tool since they could cause the tool to explode.

INSPECT TOOL FOR PROPER OPERATION

Clean the tool at least daily and lubricate as required. Never operate a dirty or malfunctioning tool.

USE ONLY PASLODE RECOMMENDED PARTS AND FASTENERS

Use only parts and fasteners specifically designed and recommended by Paslode for use in the tool and for work to be done. Using unauthorized parts and fasteners or modifying the tool in any way creates dangerous situations. Replace all missing warning labels---refer to tool schematic for correct placement and part number.

WARNING

Failure to follow any of the above instructions could result in severe personal injury to tool user and bystanders or cause damage to tool and property.

Contact your local Paslode Representative for presentation of Paslode's Safety Awareness Program

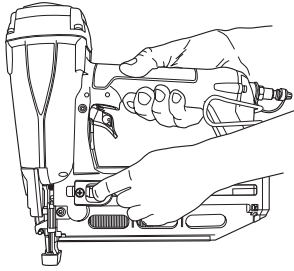
TOOL OPERATION

Fasteners

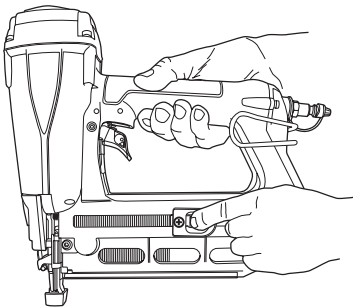
The Paslode T250S-F16 Finish Nailer drives Paslode® 16 gauge fasteners designed to be used with the tool. The use of fasteners that do not meet Paslode standards could cause tool damage and will void all warranty claims.

Loading Fasteners

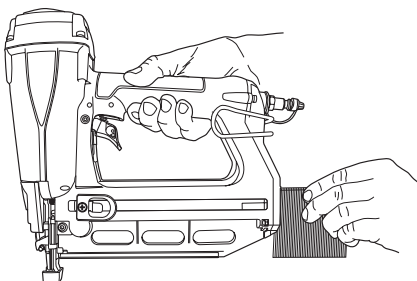
STEP 1: Align the heads of the Paslode 16 ga. Finish nails to the brad channel in the rear of the magazine and insert one or two strips. Push the nails strips forward.



STEP 2: Next, while applying pressure to the release lever, pull the follower toward the rear of the magazine until the follower passes the last strip of fasteners. Release the lever on the follower and let the follower push the nails forward into the nose of the tool.



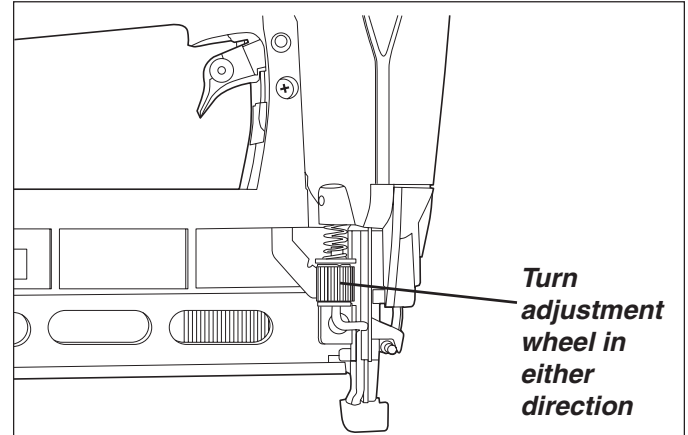
When the follower reaches the reload area, marked on the side of the magazine, you may insert a new strip of nails. When the follower arrow reaches the lockout area the tool automatically locks the tool to prevent the tool from operating. To unlock the tool, simply reload another strip of nails.



Depth of Drive Adjustment

Disconnect the air supply.

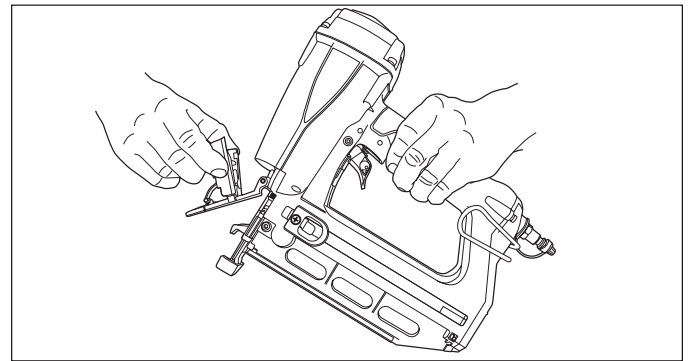
The depth of drive adjustment is done by turning the adjustment wheel as shown by the arrows on the side of the tool.



Clearing a Jam

An occasional problem you may encounter is a jammed fastener. Because of the unique design of the Paslode Finish Nailer, clearing a jammed fastener is easy:

1. Disconnect the air supply.
2. Pull the latch, releasing front guide. Pivot front guide forward.
3. Clear jam, and push driver blade back up to its normal position.
4. Close front guide and latch it. Check that work contacting element moves freely.



Lockout Feature

The purpose of this feature is to prevent needless blank cycling, which could mar woods and damage tool components. Ten (10) nails will be left in the magazine when the follower reaches the lockout area. When changing fastener length or loading at the beginning of the work day, you should inspect the magazine and nose for any fasteners left in the tool. These nails will not be visible unless you open the nose of the tool.

TOOL OPERATION

Trigger Methods:

The Paslode T250S-F16 Finish Nailer has a triggering system that can be switched from sequential to contact trip. To switch the trigger, press in the round orange button on the right side of the trigger and rotate the left side of the button to the desired triggering method. The TTT indicates contact trip and the T indicates sequential operation.

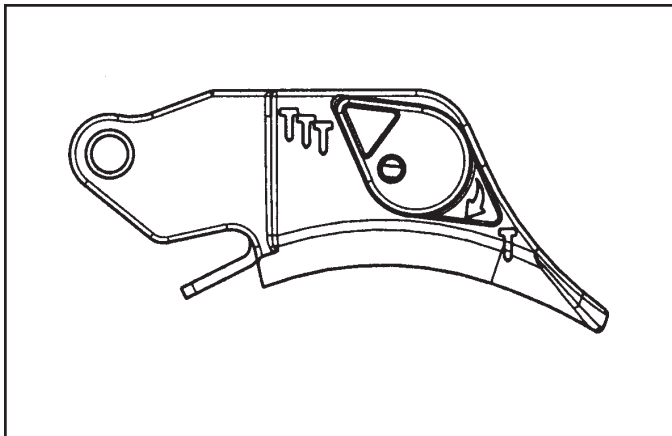
Successive (Bounce) Driving - TTT

Grasp the handle firmly.

Squeeze the trigger and move the tool along the workpiece with a bouncing motion, depressing the work contacting element at the points where you want to drive a fastener.

Keep the trigger depressed and continue to bounce the work contacting element against the workpiece, positioning the tool above as carefully as possible.

When the desired number of fasteners have been driven, release the tool trigger to avoid unintentional fastener discharge.



Sequential Operation - T

The sequential setting T prevents successive or "bounce" driving.

Depress the work contacting element and hold it against the work surface before pulling the trigger.

After each fastener is driven, completely release the trigger and lift the tool from the work surface.



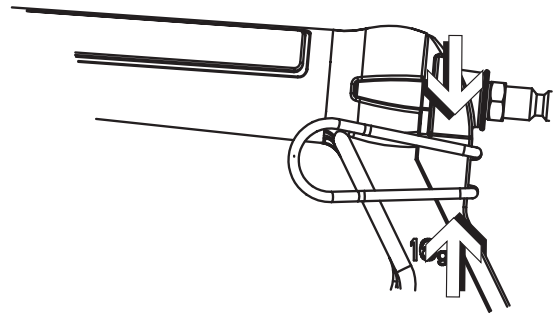
WARNING



Do not clamp or hold trigger with anything other than your hand.

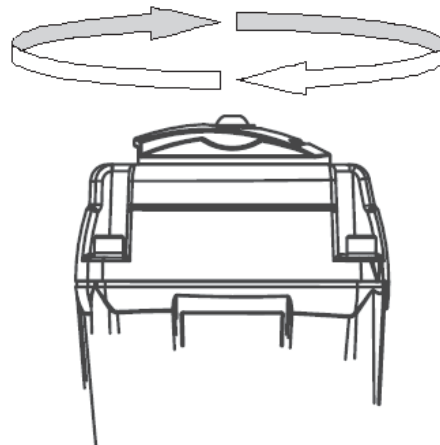
Reversible Belt Hook:

The belt hook can be changed from the left hand side of the tool to the right hand side. To change the position, squeeze the base of the belt hook and remove it from the tool and position it on the desired side.



Adjustable Exhaust:

The direction of the exhaust air can be changed by rotating the orange air deflector on the cap of the tool.



MAINTENANCE

Paslode® tools are built for ease of maintenance. A few simple details will assure trouble-free operation and long tool life. Anyone who uses or maintains the tool must read the safety and maintenance instructions. Study the schematic drawing before starting any repairs on the tool.

Air-operated tools must be inspected periodically, and worn or broken parts must be replaced to keep the tool operating safely and efficiently. Also the items on the maintenance chart must be checked often.

Cold Weather Care

When temperatures are below freezing, tools should be kept warm by any convenient, safe method. If this is not possible, the following procedure should be used to warm up the tools.



- Reduce the regulated air pressure to 30 psi.
- Remove all fasteners from the tool.
- Collect an air line and blank fire the tool. The reduced air pressure will be enough to free-fire the tool. Slow speed operation tends to warm up the moving parts. Slowing up the piston helps the bumper and the O-rings to become pliable.

 CAUTION 
Never free-fire the tool at high pressure.

- Once the tool is warmed up, readjust the regulator to the proper working pressure and reload the tool.
- Tool operators working outdoors or in unheated areas in extremely cold temperatures should also:

Use Paslode pneumatic oil with antifreeze in the lubricator, Part No. 219090 (8oz.)

Once a week, depending on the amount of tool use, take the tool apart and wash away any sludge with degreaser cleaner (Paslode Part No. 219086) to keep the tool operating efficiently.

 CAUTION 
Never use kerosene or flammable solvents to clean the tool.

Cleaning the air-operated tools with solvents removes the thin coating of grease applied to the cylinder wall and O-rings at the factory. To replace this coating of grease, use Chemplex grease (Paslode Part No. 403734).

- Open the drain on the air compressor tank to drain any moisture at least daily in extremely cold or humid weather. A few ounces of anti-freeze in the tank will keep the air free of frost.

Testing the Tool After Servicing

After replacing any part or parts, it is important to check the tool for proper operation. This ensures that the tool was put together correctly, is safe to use, and will perform the job properly.



- Ensure that all hardware is tight.
 - Ensure that the work contacting element is installed correctly in relation to the trigger, and that both parts move freely.
 - Ensure that the magazine is properly attached.
 - Ensure that the required safety information on the tool is legible.
 - Use only Paslode approved fasteners in the tool, and ensure that they are correct for the application.
 - Ensure that a male air fitting is securely connected to the tool.
 - Test the tool by driving fasteners into a workpiece identical to the tool's application.
 - Check the tool for air leaks during testing and for the proper sequence of operation.
 - Ensure that all fasteners are driven to the same depth and that the crown of the fastener is flush with the workpiece.
- ## Tool Lubrication
- It is most important that the tool be properly lubricated by keeping the air line lubricator filled and correctly adjusted. Without proper lubrication the tool will not work properly and parts will wear prematurely.

Use the proper lubricant in the air line lubricator. The lubricator should be of low air flow or changing air flow type, and should be kept filled to the correct level. Use only Paslode recommended lubricants. Substitutes may harm the rubber compounds in the tools O-rings and other rubber parts. Paslode Part No. 403720 is a pneumatic lubricating oil specially made for pneumatic applications.

If a filter/regulator/lubricator is not installed on the air system, air operated tools should be lubricated at least once a day with 6 to 20 drops of oil, depending on the work environment, directly through the male fitting in the tool housing.

Most minor problems can be resolved quickly and easily using the maintenance table that follows. If problems persist, contact your Paslode dealer for assistance.

MAINTENANCE

 CAUTION 
Disconnect the tool when performing repairs or clearing jams.

ACTION	WHY	HOW
Drain air line filter (daily).	Prevent accumulation of moisture and dirt.	Open manual petcock (most air supply systems have such a valve).
Keep lubricator filled.	Keep tool lubricated.	Fill with Paslode pneumatic tool lubricant. Part No. 219026.
Clean filter element, then blow air through filter in direction opposite to normal flow.	Prevent clogging of filter with dirt.	Wash with soap and water or follow manufacturers instructions.
Check that all screws on tool are tight.	Prevent air leakage and promote efficient operation.	Check screws daily.
Keep work contacting element working properly.	Promote operator safety and efficient tool operation.	Blow clean daily.
Keep magazine and feeder mechanism clean.	Prevent jamming of fasteners.	Blow clean daily.
Lubricate "O" rings that are replaced.	Assure long life and proper operation of tool.	Use Chemplex grease, Part No. 403734.
Use only Paslode replacement parts.	Keep tool operating efficiently and maintain Paslode tool warranty.	Order any replacement parts needed from Paslode Dealer.

OPERATOR TROUBLESHOOTING



CAUTION



Disconnect the tool when performing repairs or clearing jams.

PROBLEM	CORRECTIVE ACTION
Fasteners will not drive completely into wood.	<p>Adjust the depth of drive adjustment (retract length).</p> <p>Increase air pressure (do not exceed 120 psi).</p>
Fasteners penetrate properly during normal operation, but won't drive fully at faster speeds.	<p>Increase air flow to tool -- use larger air lines (3/8 inch ID minimum).</p>
Fasteners drive too deeply into wood.	<p>Adjust the depth of drive adjustment (extend length).</p> <p>Reduce air pressure.</p>
Fastener jams in nose of tool.	<p>Open front guide latch, release jammed fastener, and close latch securely.</p>
Tool skips during operation - no fasteners are driven from time to time.	<p>Check magazine for proper fasteners. Magazine follower should slide freely. Clean as needed to remove debris.</p> <p>Make sure correct fasteners are being used. Use fasteners that meet Paslode® specifications only.</p> <p>Increase air flow to tool -- use larger air lines (3/8 ID minimum).</p> <p>Adjust work contacting element where available.</p>
Tool operates, but no fasteners are driven.	<p>Check magazine for proper fasteners. Fasteners should slide freely with no follower pressure.</p> <p>Open front guide latch or loosen magazine knob and check for jams or debris in the nose area. Clear as necessary.</p> <p>Increase air pressure (do not exceed 120psi).</p>
Air leaks at cap when tool is connected to air.	<p>Tighten cap screws.</p>

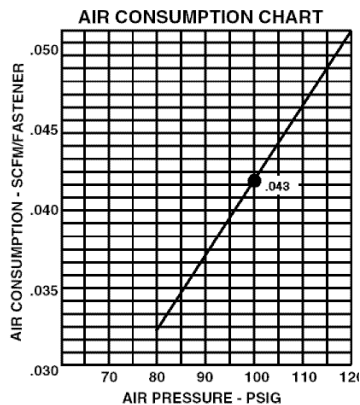
PARTS LEGEND

T250S-F16, 501680

1	501885	1	T.H.S.C.S. 1/4-20 x 1/2	45	501092	1	Dust Cover
2	501896	1	Flat Washer	46	501972	2	Bolt
3	501899	1	Deflector	47	501091	1	Air Plug
4	501901	1	Bolt	48	501939	1	Belt Hook
5	501902	1	Cap	49	501938	2	Hex S.H.C.S.
6	501903	1	Seal	50	501998	1	Spring Pin
7	501904	1	Spring, Main Valve	51	501931	1	Spring Pin
*8	501905	2	O-Ring	52	501089	1	Urethane Retainer
9	501906	1	Head Valve Piston	53	501963	1	Steel Channel
*10	501907	1	O-Ring	54	501966	1	Safety B
11	501908	1	Collar	55	501967	1	Safety Spring
*12	501909	1	Packing	56	501968	1	E-Ring
*13	501910	1	Piston Ring	57	501969	1	Adjust Shaft
*14	501911	1	O-Ring	58	501387	1	Spring
*15	501912	1	Driver Blade	59	501970	1	Safety A
16	501920	1	Cylinder Press Ring	60	501971	1	No Mar Tip
17	501913	1	O-Ring	61	501951	1	Latch Cover
18	501914	1	Cylinder	62	501950	2	Spiral Pin
19	501915	1	Cylinder Ring	63	501949	1	Front Latch Handle
20	501916	1	Cylinder Spacer	64	501948	1	Front Latch
21	501917	1	O-Ring	65	501947	1	Driver Guide Cover
*22	501918	1	Bumper	66	501946	1	Spiral Pin
23	501919	1	Driver Guide	67	501940	2	Hex Soc.Hd.Bolt
*24	501921	1	O-Ring	68	501941	1	Driver Guide Cover B
*25	501922	1	O-Ring	69	501942	1	Driver Guide
26	501923	1	Plunger Cap	70	501943	1	Stopper Finger Spring
27	501930	2	Spring Pin	71	501944	1	Stopper
28	501924	1	Valve Plunger	72	501945	1	Fixed Pin
*29	501925	2	O-Ring	73	501953	1	Pusher Spring
*30	501926	1	O-Ring	74	501954	1	Pusher
31	501927	1	Spring	75	501955	1	Spring Pin
32	501928	1	Plunger	76	501952	1	Anchor Block
33	500999	2	O-Ring	77	501956	1	Negator Spring
34	501929	1	Trigger Valve Head	* 78	501960	1	Magazine Steel Cover
35	501932	1	Spring	79	501961	1	Counter Sunk Screw
36	501933	1	Trigger Unit	80	501959	1	Tap Bolt
37	501965	2	Tap Bolt	81	501958	1	Protecting Hood Cover
38	501962	1	Lock Nut	82	501962	1	Lock Nut
39	501964	1	Magazine B	83	501957	1	Magazine A
40	501961	1	Counter Sunk Screw	84	501973	1	Nameplate
41	501934	1	Trigger Pivot Pin	85	501302	1	Warning Label
42	501935	1	Housing	**86	501140	1	Housing Label-left
43	501936	1	O-Ring	87	501141	1	Housing Label-right
44	501937	1	End Cap	88	501995	1	Tap Bolt

* Denotes Normal Wear Items.

** Make sure Warning Label (501302) is properly affixed. Replace if necessary. Label available at no charge through the Service Parts Dept.



SAFETY INSTRUCTIONS

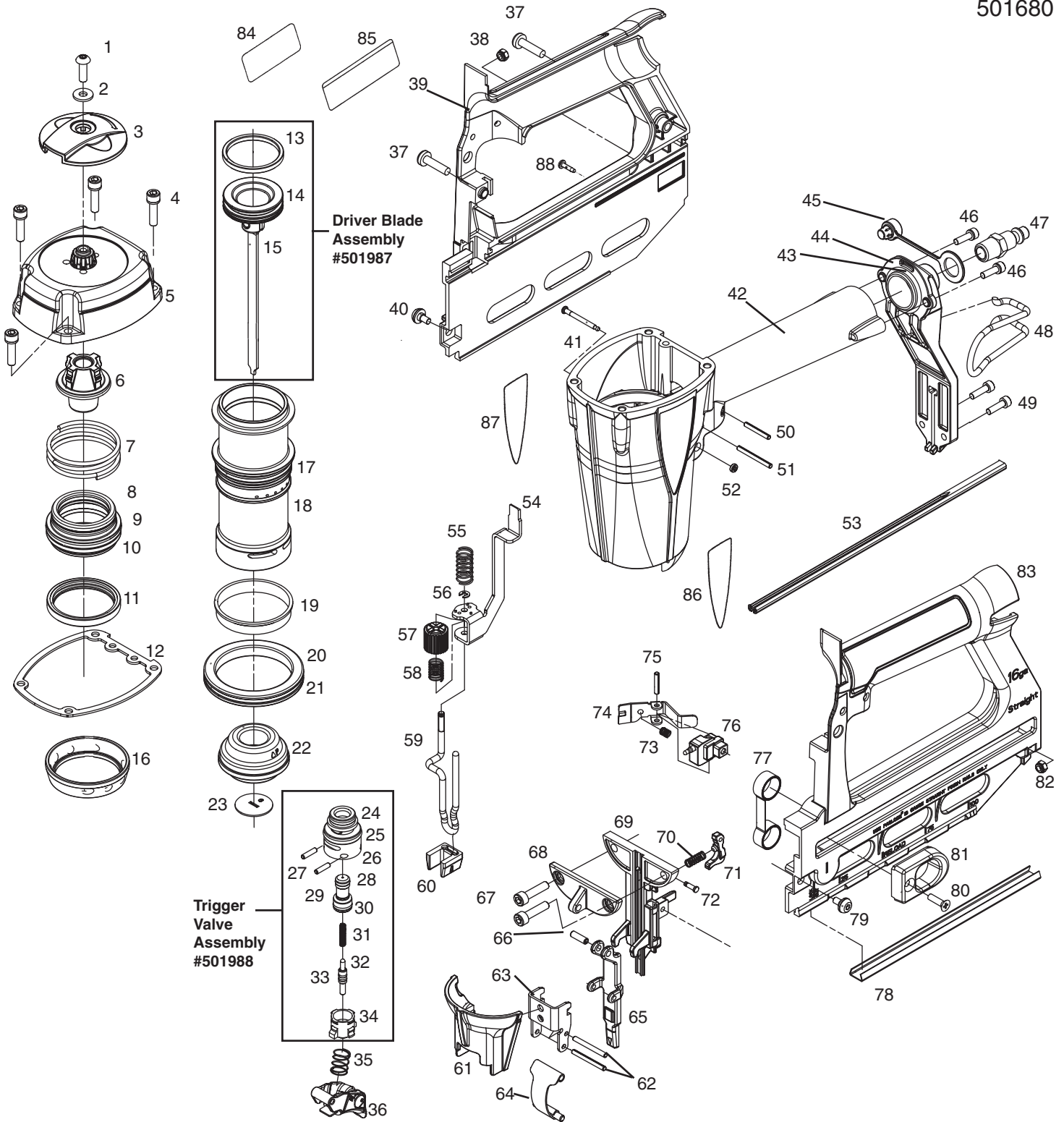
WEAR EYE AND HEARING PROTECTION

Always wear hearing protection and eye protection devices, including side shields when operating or working in the vicinity of a tool.

DO NOT EXCEED MAXIMUM RECOMMENDED AIR PRESSURE

Operate the tool using only the recommended air pressure. Do not exceed the maximum air pressure marked on the tool. Be sure the air pressure gauge is operating properly and check it at least twice a day.

Never use any bottled air or gases such as oxygen to operate the tool since they could cause the tool to explode.



Assembly Hardware System - Metric

WARNING

All parts must be periodically inspected and replaced if worn or broken. Failure to do this can affect the tool's operation and present a safety hazard.

ACCESSORIES

Lubricants

Lubricating Oil 16 oz.

Part No. 403720

Lubricating Oil with Antifreeze 8 oz.

Part No. 219090

Chemplex 710 Lubricant 1lb.

Part No. 403734

Tool Cleaner

Ideal cleaner for all Paslode tools.

Part No. 219348

Safety Glasses

Clear



Part No. 401382

Tool Case

Handy carrying case that conveniently stores your tool with room for additional accessories.

Part No. 501978



An Illinois Tool Works Company
888 Forest Edge Drive
Vernon Hills, Illinois 60061-8117