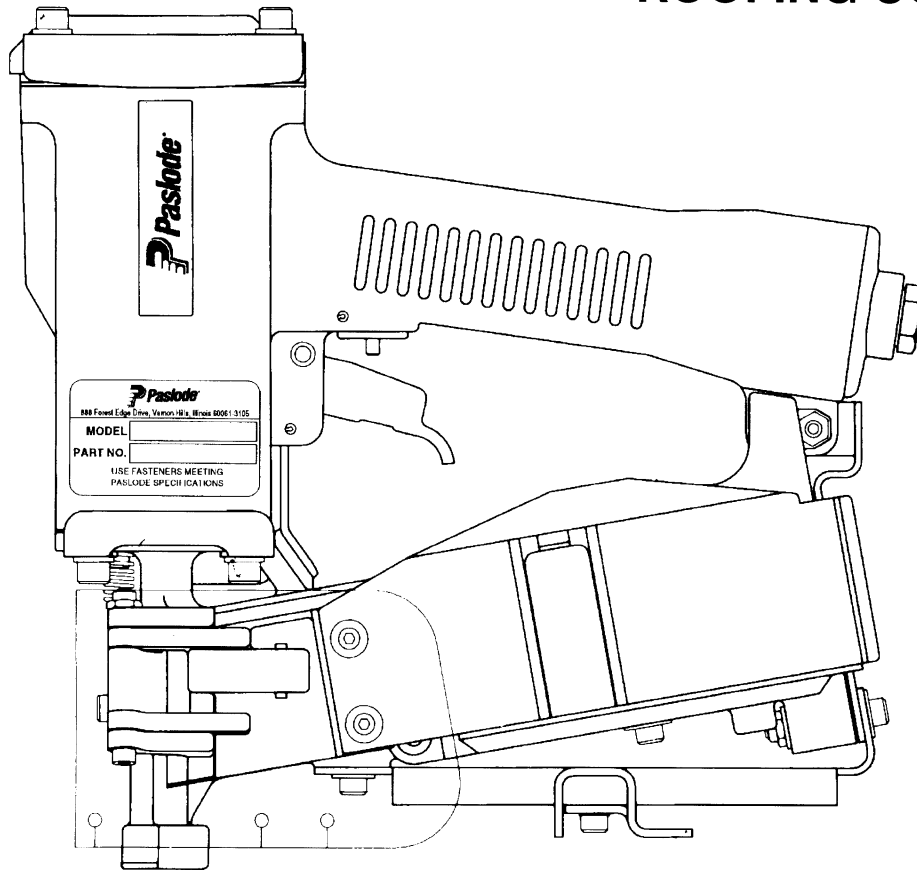




MODEL 3175 RC
MODEL 3175/45 RCQ
ROOFING COIL NAILERS



TOOL SCHEMATIC AND PARTS

IMPORTANT!
DO NOT DESTROY

Always refer to safety and maintenance manual #403606 for detailed information on this tool. It is the customer's responsibility to have all operators and service personnel read and understand this information.

PARTS LEGEND 3175 RC, 404000

3175/45 RCQ, 405100 (Europe)

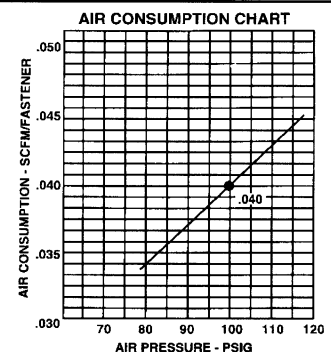
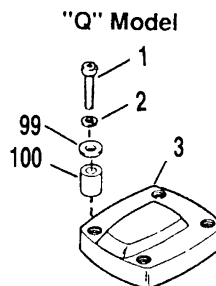
1	092735	4	Socket Head Capscrew, 1/4-20 x 1-1/4" (3175RC)	48	404091	2	Wear Shield, Nose
	091362	4	Socket Head Capscrew, 1/4-20 x 1-1/2" (3175/45 RCQ)	▲ 49	091545	4	Socket Head Capscrew, 1/4 - 20 x 7/8"
2	002187	8	Lock Washer, 1/4"	50	404012	1	Holdback Claw
3	402726	1	Air Diffuser (3175RC)	51	404014	1	Door
	404242	1	Air Diffuser (3175/45 RCQ)	52	404013	1	Front Guide
*4	402782	2	Wear Shield Cap	53	404663	1	Spring, Work Contacting Element
▲ 5	006310	1	Socket Head Capscrew, #6-32 x 1/2"	*54	402031	1	"O" Ring
→ 6				55	405234	1	Piston, Feed Claw
7	402704	1	Cap	*56	092709	1	"O" Ring
8	402717	1	Conical Spring	57	096815	1	Spring
9	404230	1	Retaining Ring	58	403572	1	Bumper, Feed Claw Piston
*10	091537	1	"O" Ring, Main Valve Assembly	59	405233	1	Piston Guide
11	404122	1	Upper Valve Piston	60	403573	1	Retaining Ring
12	404055	1	Post, Main Valve	61	402486	1	Retaining Washer
*13	404256	1	"O" Ring, Main Valve Post	▲ 62	009037	2	Socket Head Capscrew, #10-32 x 1/2"
*14	402723	1	"O" Ring, Piston	63	402629	3	Hardened Washer, #10
15	403582	1	Lock Nut, Gripco, 5/16-24	64	404002	1	Grommet, Debris Shield
16	403563	1	Piston	65	404003	1	Intermediate Work Contacting Element
*17	404001	1	Driver Blade	66	402488	1	Pivot Pin, Feed Claw
18	402725	1	Seal, Sleeve	67	402041	1	Torsion Spring, Feed Claw
19	405245	1	Sleeve	68	405238	1	Feed Claw
*20	091966	1	"O" Ring, Sleeve	69	404004	1	Work Contacting Element
*21	402729	1	"O" Ring, Sleeve	**70	400658	1	Warning Label
22	403854	1	Retaining Bumper	71	404015	1	Cover, Magazine
*23	403853	1	Bumper	*72	404092	2	Wear Shield, Magazine
24	402707	1	Gasket, Cap	*73	404093	1	Debris Shield
25	402701	1	Housing	74	403579	1	Roll Pin, 1/16" Dia. x 1/2" Lg.
26	404939	2	Logo, Housing	75	403568	1	Cap, Post
	405118	2	Logo, Housing (3175/45 RCQ)	76	402071	1	Extension Spring, Post
27	096893	1	Nameplate	77	403543	1	Nail Plate Assembly
	405553	1	Nameplate (3175/45 RCQ)	78	404731	1	Center Post, Outer
28	402708	1	Gasket, Nose	79	403580	1	Retaining Ring
29	405147	1	Lever, Trigger	80	403556	1	Center Post, Inner
30	405144	1	Trigger	81	405243	1	Flange, Sleeve
31	500488	1	Grip, Handle	82	404016	1	Magazine
32	005849	1	Roll Pin	83	404303	1	Socket Head Capscrew, #10-32 x 1 1/4"
33	402079	1	Pin, Trigger	84	006057	3	Flat Washer, #10
34	404325	1	Stop Nut	85	006621	1	Socket Head Capscrew, #10 32 x 7/8"
35	026133	2	Roll Pin, 1/8" Dia. x 1" Lg.	86	404019	1	Nut, Shingle Guide
36	404017	1	Magazine Bracket	*87	404020	1	Shingle Guide
▲ 37	004502	4	Socket Head Capscrew, #10-32 x 5/8"	▲ 88	004224	3	Socket Head Capscrew, #10-32 x 3/8"
38	092037	9	Flexloc Nut, #10-32	89	404018	1	Bracket, Shingle Guide
39	097748	2	Spring	90	404361	1	Roll Pin, 1/8" Dia. x 1/2" Lg.
40	097746	1	Valve Pin	92	404054	1	Seal, Main Valve
*41	092174	1	"O" Ring, Valve Body	*93	090927	1	"O" Ring, Main Valve
42	401958	1	Valve Body	*94	092775	1	"O" Ring, Main Valve
*43	091591	1	"O" Ring, End Plug	*95	092773	1	"O" Ring, Main Valve
▲ 44	401940	1	End Plug	96	404056	1	Lower Valve Piston
45	091622	1	Reducing End Plug	97	404010	1	Magnet
46	404007	1	Nose Assembly With Magnet	98	405524	1	Fastener Label (3175/45 RCQ)
47	404106	1	Socket Head Capscrew, #10-32 x 2"	99	091447	4	Flat Washer (3175/45 RCQ)
				100	404243	4	Spacer (3175/45 RCQ)
				101	402728	1	"O" Ring

** NOTE: Make sure Warning Label (400658) is properly affixed. Replace if necessary. Label available at no charge through Service Department.

* Denotes normal wear items

▲ Apply Loctite 242 (Blue) Part No. 093500

→ Denotes New Change

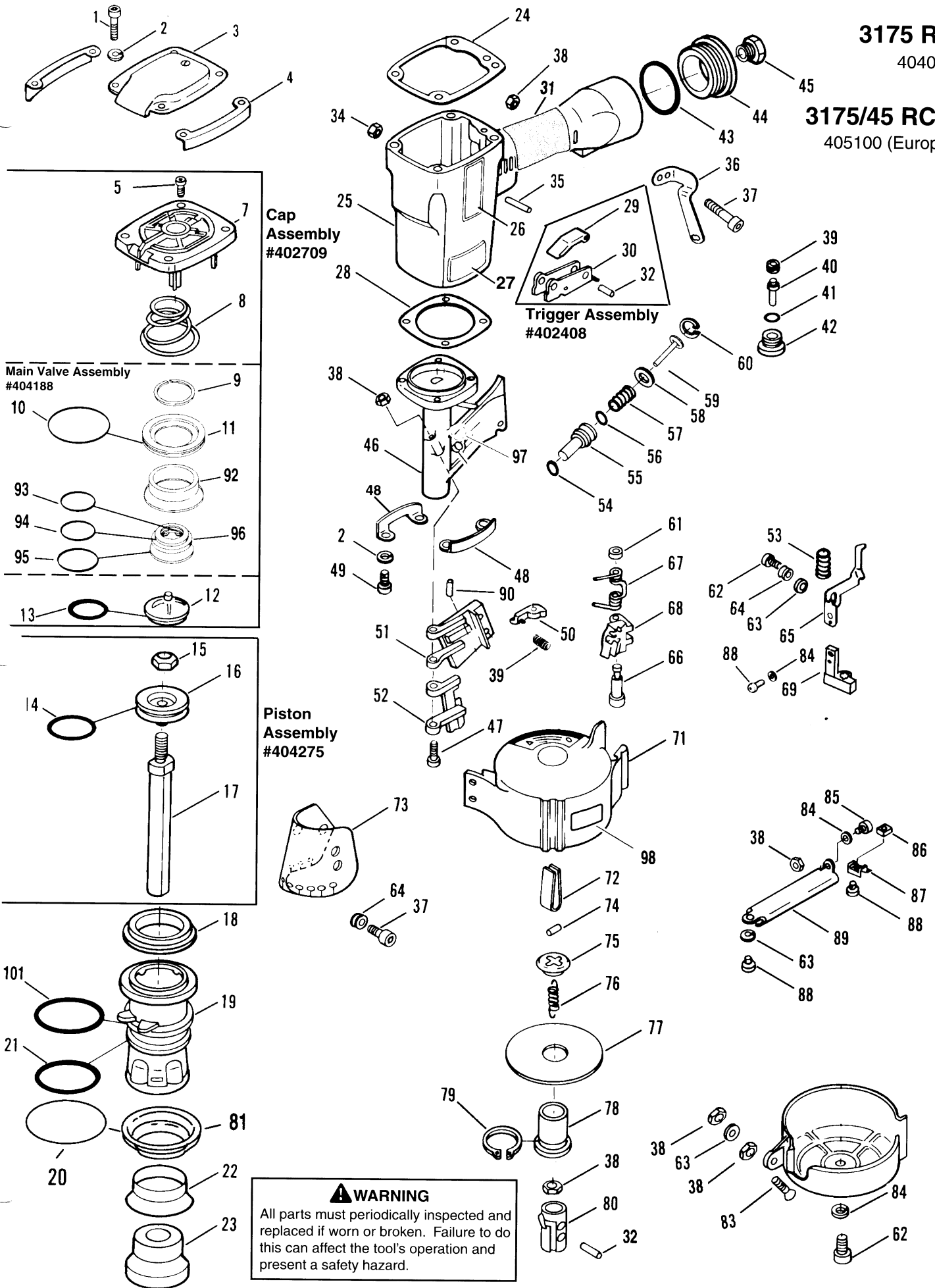


3175 RC

404000

3175/45 RCQ

405100 (Europe)

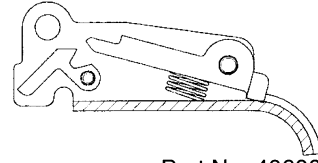


WARNING
All parts must periodically inspected and replaced if worn or broken. Failure to do this can affect the tool's operation and present a safety hazard.

ACCESSORIES

Sequential Operating Kit

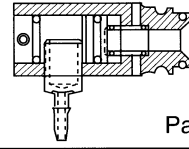
This special attachment is designed for sequential operation (stops "contact-firing"). The operator must depress and hold the work contacting element against the work surface before pulling the trigger. This sequence must be repeated each time the tool drives a fastener.



Part No. 406006

Remote Fire Valve

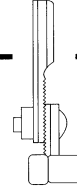
This valve via a positive air signal allows a machine mounted tool to be operated from an automatic air valve or foot pedal system.



Part No. 1X0713

Adjustable Work Contacting Element

This adjustable work contacting element has multiple settings to control the depth of drive.



Part No. 1X1374

Lubricants and Loctite

Chemplex 710 Lubricant 5 gram tube
Chemplex 710 Lubricant 1 lb.
Loctite 242 (Blue) 1 oz.
Lubricating Oil 8 oz.
Lubricating Oil 8 oz. with Antifreeze

Part No. 219188
Part No. 403734
Part No. 093500
Part No. 219026
Part No. 219090

Degreaser Cleaner

Ideal cleaner for all Paslode tools.

Part No. 219086

Belt Hook

Attaches to cap of tool enabling you to carry tool on belt holder (offered below).

Part No. 219017

Belt Hook Holder

Attaches to work belt and carries tool using the above belt hook.

Part No. 219028

Safety Glasses

Clear
Tinted

Part No. 402510
Part No. 402512

Large Carrying Case

Handy durable plastic tool case with foam insert that conveniently stores the 3175-R tool, with room for additional accessories

Part No. 219034

SAFETY INSTRUCTIONS

WEAR EYE AND HEARING PROTECTION

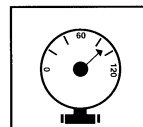
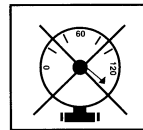


Always wear hearing protection and eye protection devices, including side shields when operating or working in the vicinity of a tool.



Never use any bottled air or gases such as oxygen to operate the tool since they could cause the tool to explode.

DO NOT EXCEED MAXIMUM RECOMMENDED AIR PRESSURE



Operate the tool using only the recommended air pressure. Do not exceed the maximum air pressure marked on the tool. Be sure the air pressure gauge is operating properly and check it at least twice a day.



An Illinois Tool Works Company
888 Forest Edge Dr.
Vernon Hills, Illinois 60061